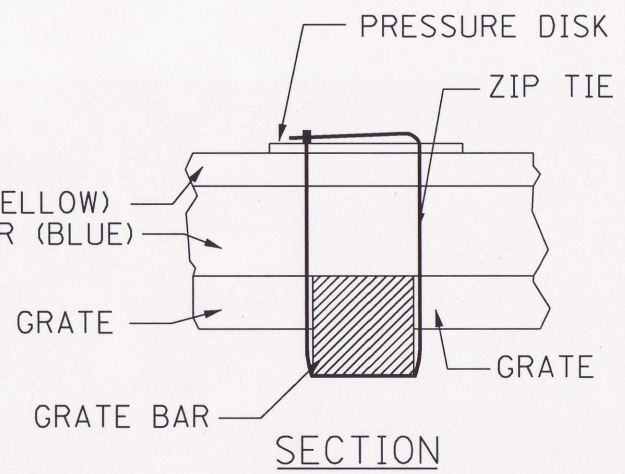


SECURE USING 3-1/2" DIA. PRESSURE DISKS AND 175# ZIP TIES FASTENED TO INLET GRATE (TYP)

EXTEND 1" MINIMUM AND 3" MAXIMUM FROM EDGE OF CURB BOX (TYP)

EXTEND 1" MINIMUM AND 3" MAXIMUM FROM EDGE OF GRATE (TYP)



STRAIGHT CURB INLET PROTECTION
WITH EMERGENCY OVERFLOW PROTECTED
 NOT TO SCALE



Earth Support Systems, Inc.
 P.O. Box 1191 Columbus, IN 47202
 Phone: 1.866.401.8776 Fax: 1.812.376.8776
 Email: info@earthsupportsystems.net
 Web: www.earthsupportsystems.net

