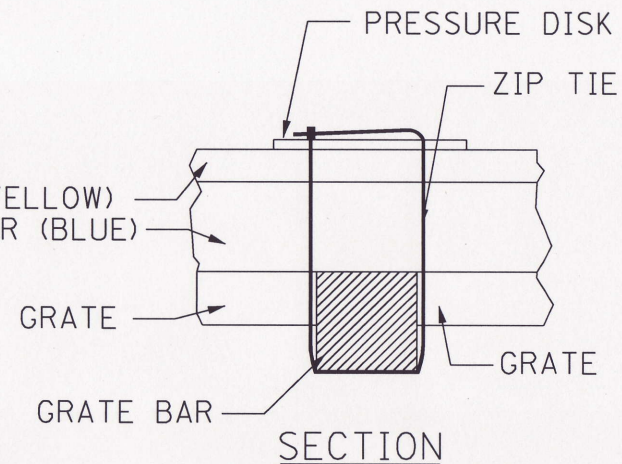


SECURE USING 3-1/2" DIA.  
PRESSURE DISKS AND  
175# ZIP TIES FASTENED  
TO INLET GRATE (TYP)

EXTEND 1" MINIMUM AND 3" MAXIMUM  
FROM EDGE OF GRATE (TYP)

ROLL TYPE CURB INLET PROTECTION  
NOT TO SCALE



**ES** Earth  
Support  
Systems  
*GET RIGHT!*

**Earth Support Systems, Inc.**  
P.O. Box 1191 Columbus, IN 47202  
Phone: 1.866.401.8776 Fax: 1.812.376.8776  
Email: [info@earthsupportsystems.net](mailto:info@earthsupportsystems.net)  
Web: [www.earthsupportsystems.net](http://www.earthsupportsystems.net)

*Get Right With*

**Sediguard™**  
INLET PROTECTION DEVICE PATENT PENDING