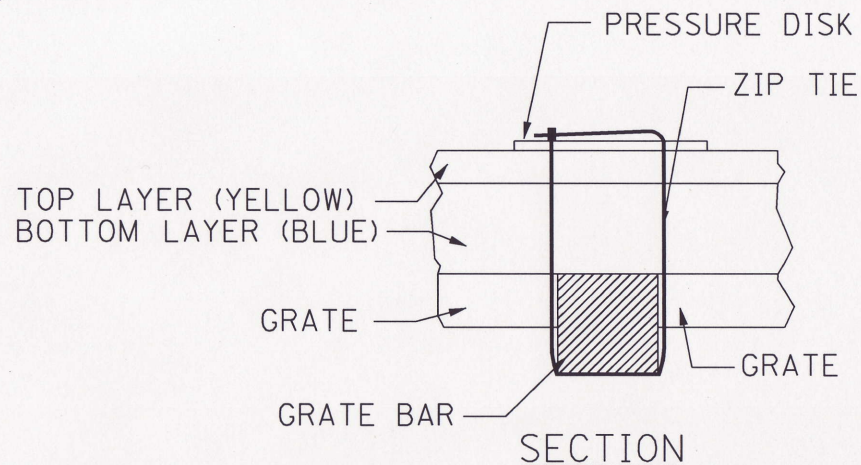


SECURE USING 3-1/2"  
DIA. PRESSURE DISKS  
AND 175# ZIP TIES FASTENED  
TO INLET GRATE (TYP)

FLAT TYPE INLET PROTECTION  
NOT TO SCALE



**ES** Earth  
Support  
Systems  
*GET RIGHT!*

Earth Support Systems, Inc.  
P.O. Box 1191 Columbus, IN 47202  
Phone: 1.866.401.8776 Fax: 1.812.376.8776  
Email: [info@earthsupportsystems.net](mailto:info@earthsupportsystems.net)  
Web: [www.earthsupportsystems.net](http://www.earthsupportsystems.net)

Get Right With  
**Sediguard**™  
INLET PROTECTION DEVICE PATENT PENDING