

CURB PROTECTION
THREE DIMENSIONAL NATURAL
FIBER INLET PROTECTION DEVICE
(SEDIGUARD™ CURB GUARD BY
EARTH SUPPORT SYSTEMS
OR APPROVED EQUIVALENT)

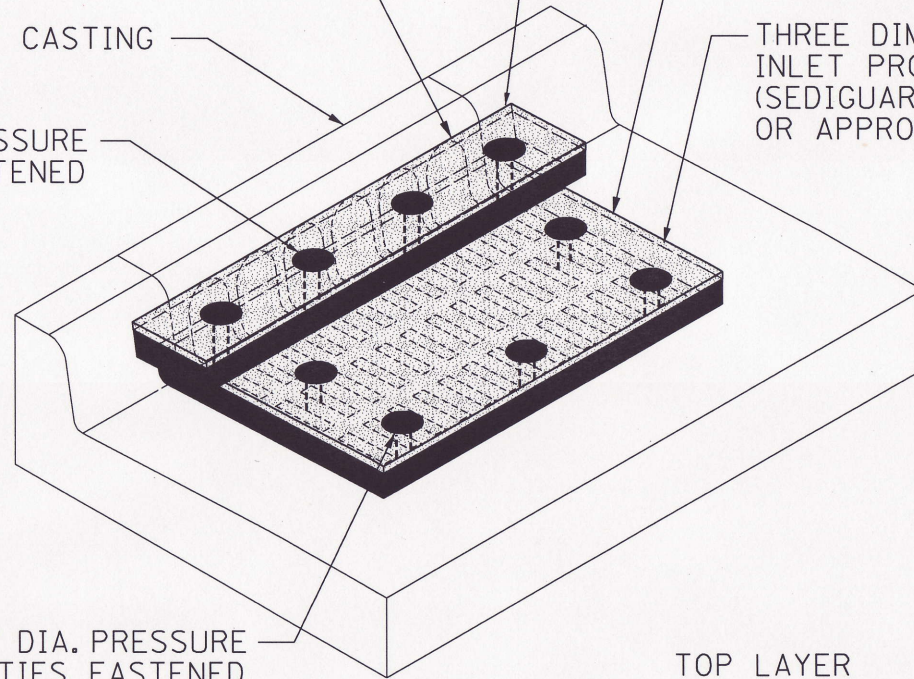
EXTEND 1" MINIMUM AND 3" MAXIMUM
FROM EDGE OF CURB BOX (TYP)

EXTEND 1" MINIMUM AND 3" MAXIMUM
FROM EDGE OF GRATE (TYP)

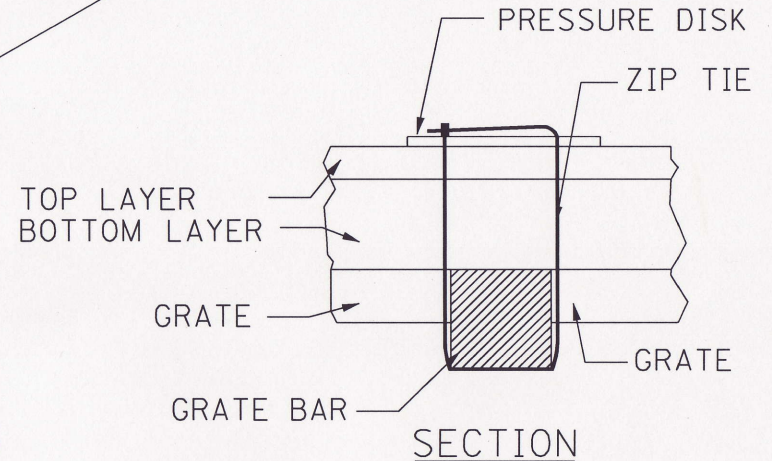
INLET CASTING

THREE DIMENSIONAL NATURAL FIBER
INLET PROTECTION DEVICE
(SEDIGUARD™ BY EARTH SUPPORT SYSTEMS
OR APPROVED EQUIVALENT)

SECURE USING 3-1/2" DIA. PRESSURE
DISKS AND 175# ZIP TIES FASTENED
TO INLET GRATE (TYP)



SECURE USING 3-1/2" DIA. PRESSURE
DISKS AND 175# ZIP TIES FASTENED
TO INLET GRATE (TYP)



STRAIGHT CURB INLET PROTECTION
WITH EMERGENCY OVERFLOW PROTECTED
NOT TO SCALE