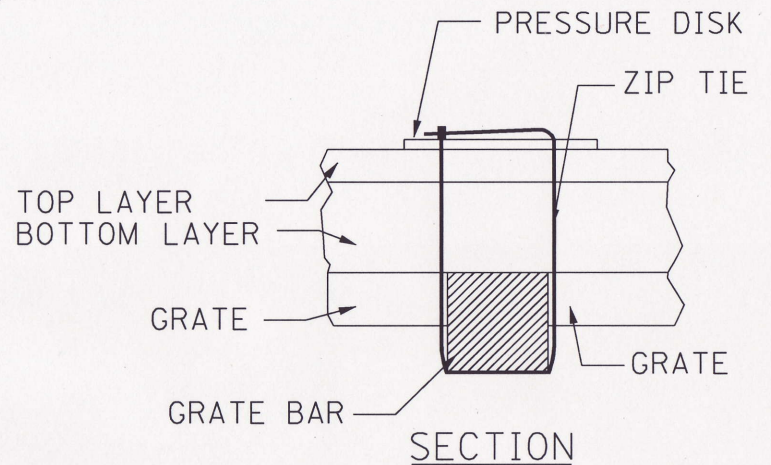


SECURE USING 3-1/2" DIA. PRESSURE DISKS AND 175# ZIP TIES FASTENED TO INLET GRATE (TYP)



STRAIGHT CURB INLET PROTECTION
WITH EMERGENCY OVERFLOW EXPOSED
 NOT TO SCALE