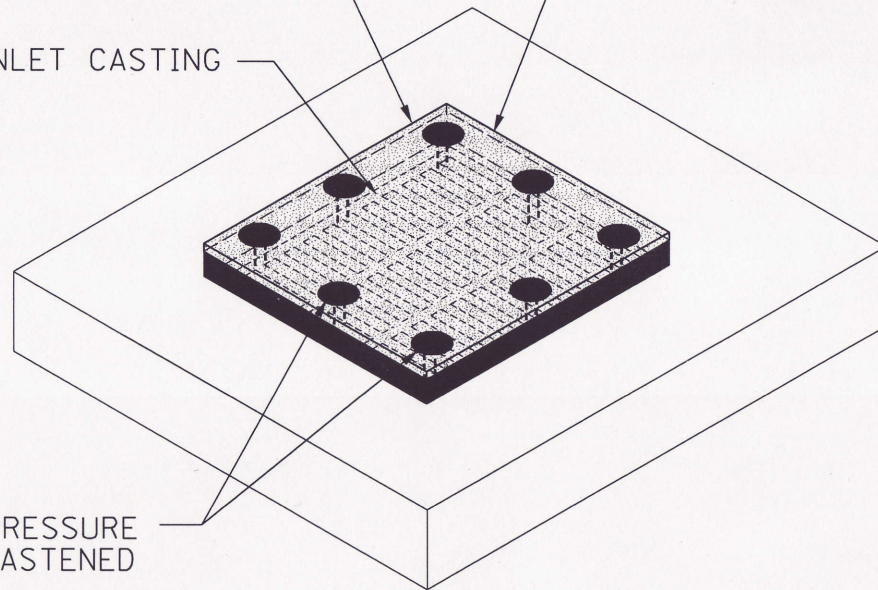


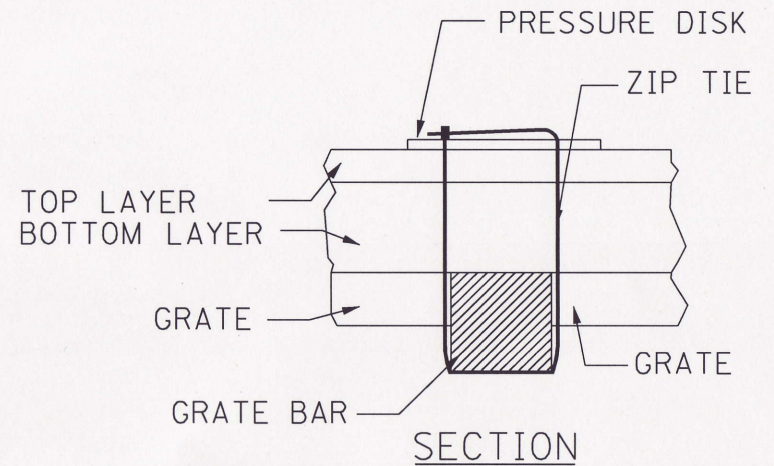
THREE DIMENSIONAL NATURAL FIBER  
INLET PROTECTION DEVICE  
(SEDIGUARD™ BY EARTH SUPPORT SYSTEMS  
OR APPROVED EQUIVALENT)

EXTEND 1" MINIMUM AND 3" MAXIMUM  
FROM EDGE OF GRATE (TYP)

INLET CASTING



SECURE USING 3-1/2" DIA. PRESSURE  
DISKS AND 175# ZIP TIES FASTENED  
TO INLET GRATE (TYP)



FLAT TYPE INLET PROTECTION  
NOT TO SCALE